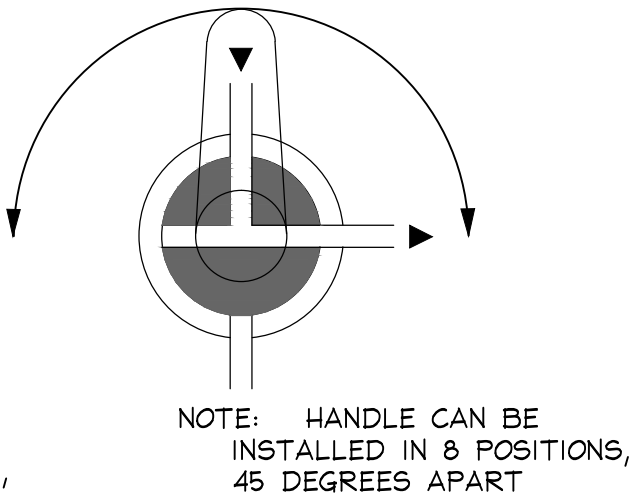
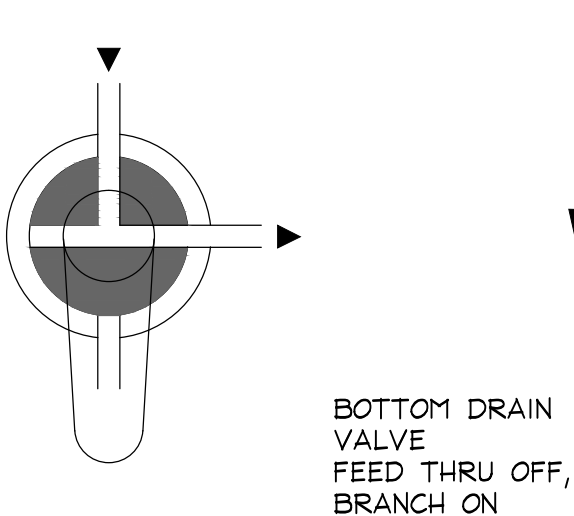
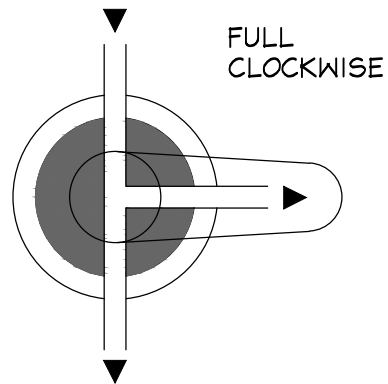
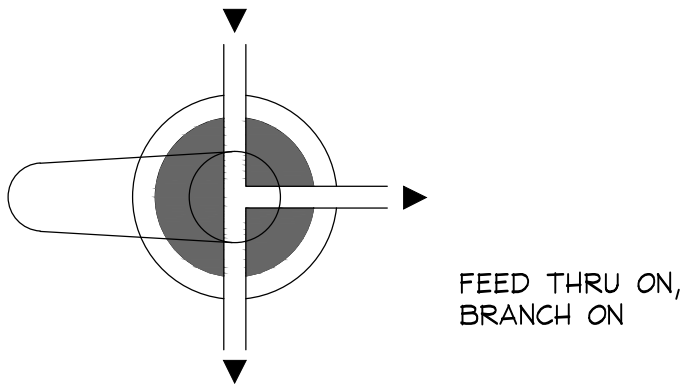
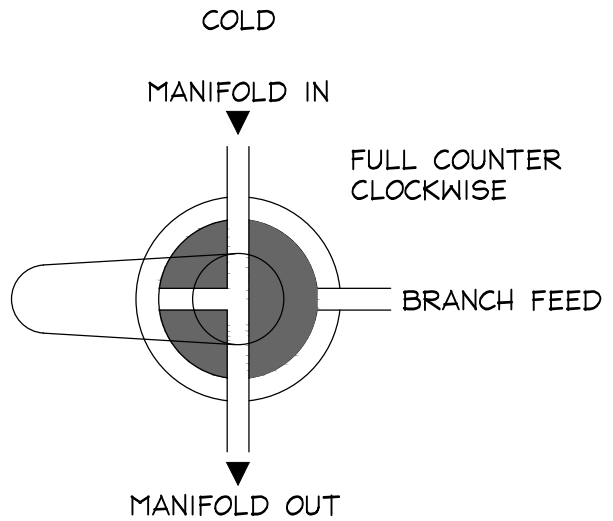
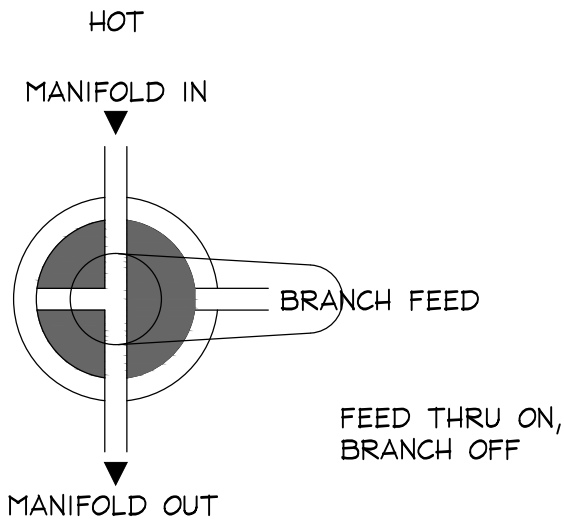


02/18/17 10:11:01 AM D:\MY DOCUMENTS\SAFARI\SAFARI CAD\FLAIR IT 3W VALVE.DWG



SCALE: N/A

PROJECT: SAFARI

TITLE: FLAIR IT 3 W VALVE

DRAWN: JIM X

LOC: N/A

DRG:

3WVAL

REVISION

DATE: 6/18/14

JOB NO: N/A

Flair It 3w valve.dwg

0